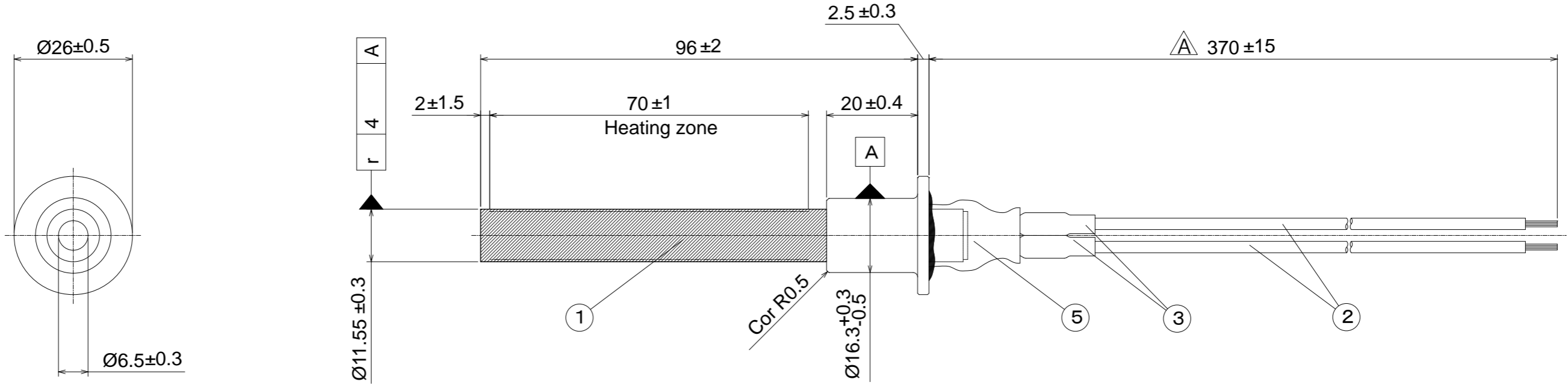
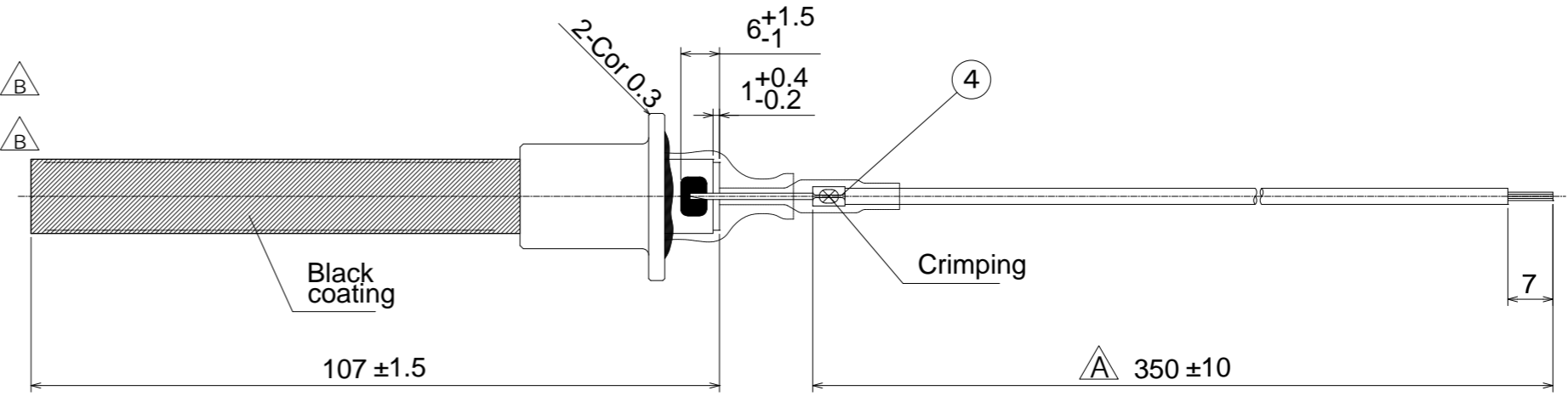


NO.	REVISION HISTORY	DATE	SIGNED	CHECKED	APPROVED
A	lead wire length review (520→370, 500→350), statements review	14.01.16	Fujimoto	Kimura	Toyokawa
B	Element change (FEA-EA037→FEA-EA044), Specifications change	17.08.31	Y.Fujimoto		



(Specifications)

Properties	Value	Condition
Voltage	AC230V ±15%	
1. Rising time 2. Inrush current 3. Minimum Wattage 4. Minimum temperature	820°C within ≥60s ≥ 6.7A ≤280W ≤870°C	Applied at AC230V and 23°C ambient temperature
Normal temperature resistance	40.15~49.13Ω	23±1 °C ambient temperature
Insulation resistance	≤50MΩ	Applied at both side of Heating element DC500V at normal temperature and humidity
Withstand voltage	Current Leakage ≥5mA	Applied at both side of Heating element AC1500V for 1 s at normal temperature and humidity rate
Caulking strength (Nickel wire and lead wire)	≤29.4N	The nickel wire has been clamp and the lead part has been tested with push-pull gauge
Discontinuous conduction (Heating element)	Without break	Applied at 264V for 4 min On/5 min off (Forced cooling) for over 3000 cycles.



(Statements)
 A 1. This product comply with RoHS and REACH standard.

NAME		PSx-1-240-B	
		(FKK-Standard Pellet system heater)	
MATERIAL		DATE 2013.09.04	
APPROVED	T.Murakami	THIRD ANGLE	CODE
CHECKED	R.Toyokawa		DRAWING NO. IBA-HH006
CHARGED	S.Kimura		
DESIGNED	R.Toyokawa	SCALE 1:1	REV B
DRAWN	Y.Fujimotio		

NO.	NAME	PCS.	DRAWING NO.	MATERIAL/DIMENSION	MODEL NUMBER	OTHER
5	HEAT SHRINKABLE TUBE	1	FEA-TS003	SST, Ø16x20L	SILICONE	
4	CONNECTOR	2		Cu, tin-plating	29071-1	29071-1
3	HEAT SHRINKABLE TUBE	2	FEA-TS012	SST, Ø4x28L	SILICONE	
2	LEAD WIRE	2	FEA-RG092	RS-GE, 0.5sq, W	SILICONE-GLASS	180°C
1	HEATING ELEMENT (PL)	1	FEA-EA044	ALUMINA (A473)	B/240V	

Proprietary statement

This drawings is the proprietary of FKK Corporation. In case of non-respect of the present term, FKK may take action and ask for damages.

FKK Corporation