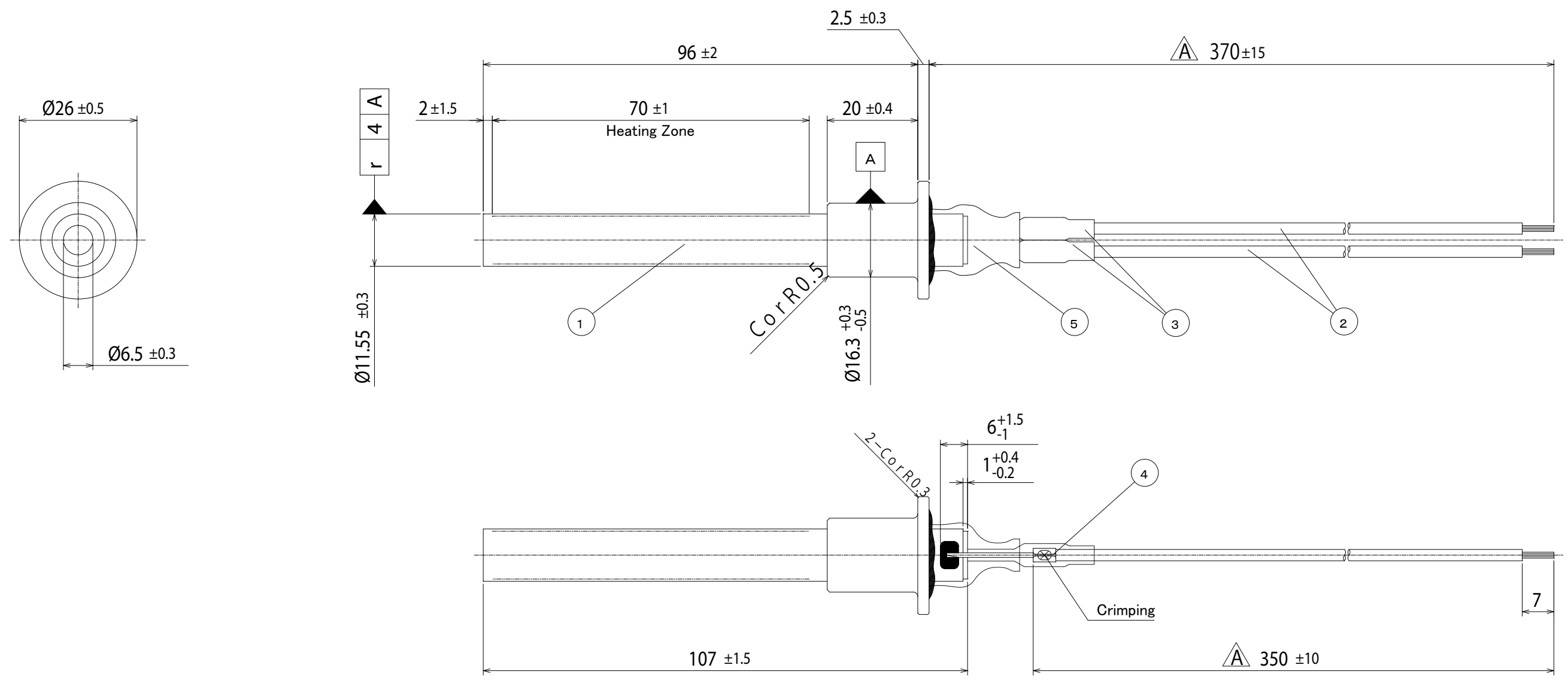


NO.	REVISION HISTORY	DATE	SIGNED	CHECKED	APPROVED
A	lead wire length review (520→370, 500→350), statements review	14.01.16	Fujimoto		
B	change of resistance value (15.3~18.7→16.0~19.6)	17.11.08			



(Specifications)

Properties	Value	Condition
Voltage	AC120V ±10%	50/60Hz
Normal temperature resistance	16.0~19.6 Ω	23±1 °C ambient temperature
Insulation resistance	Over 50M Ω	Applied at both side of Heating element DC500V at normal temperature and humidity
Withstand voltage	Current Leakage below 5mA	Applied at both side of Heating element AC1500V for 1 s at normal temperature and humidity rate
Caulking strength (Nickel wire and lead wire)	Over 29.4N (Over 3kg f)	The nickel wire has been clamp and the lead part has been tested with push-pull gauge
Discontinuous conduction (Heating element)	Without break	Applied at 264V for 4 min On/5 min off (Forced cooling) for over 3000 cycles.

(Statements)
 1. This product comply with RoHS and REACH standard.

NO.	NAME	PCS.	DRAWING NO.	MATERIAL/DIMENSION	MODEL NUMBER	OTHER
5	HEAT SHRINKABLE TUBE	1	FEA-TS003	SST, Ø16 × 20L	SILICONE	
4	CONNECTOR	2		Cu, tin-plating	29071-1	
3	HEAT SHRINKABLE TUBE	2	FEA-TS012	SST, Ø4 × 28L	SILICONE	
2	LEAD WIRE	2	FEA-RG092	RS-GE, 0.5sq, W	SILICONE-GLASS	180°C
1	HEATING ELEMENT	1	FEA-EA031	ALUMINA(A473)	W/120V	

NAME					
PSx-1-120-W					
(FKK-Standard Pellet system heater)					
MATERIAL				DATE	
				2013.11.27	
APPROVED	T.Murakami	THIRD ANGLE PROJECTION		CODE	
CHECKED	R.Toyokawa				
CHARGED	S.Kimura				
DESIGNED	R.Toyokawa				
DRAWN	Y.Fujimoto	SCALE	DRAWING NO.	REV	
		1:1	IBA-HH009	B	

Proprietary statement This drawings is the proprietary of FKK Corporation. In case of non-respect of the present term, FKK may take action and ask for damages.

FKK CORPORATION